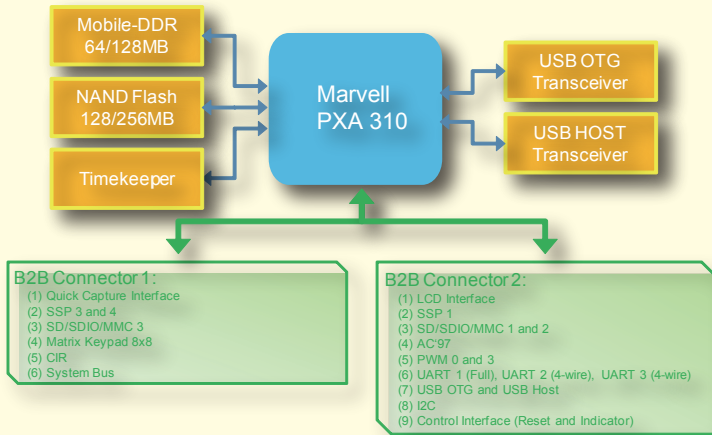


# FORMOSATREND Series

## FT310 Starter Kit



### FT310 SOM TECHNICAL SPECIFICATIONS

Option	FT 310	Option
Function		
CPU	624 MHz	806MHz
DRAM	128MB	256MB
Flash	128MB	256MB
PWR Management	DVS,DFS,Deep Sleep	Ultra PW system
LCD		800*480
USB	V1.0 for 2 x Host,1xOTG	
MMC/SD/SDIO	3 x MMC/SD/SDIO	
UART	3 x TTL Level	
SSP	4 x SSP	
Audio Code	AC'97	

### Introduction

The FT310 Starter kit is a sophisticated system on module (SOM) but user friendly and ideal for one that begin to design their SOC. You can build your systems saving 50 percent time and effort. Several design examples included in the kit make for a quick application evaluation experience.

### IO Specification

- MicroSD/SDIO/MMC \*2
- USB Host , USB OTG and USB Client
- RS232 \*2
- External RTC dock
- 3.7 inch Sunlight Readable Touch LCD
- I2C port \*1, Audio out and Mic in
- GPIO \*2 and 15 Keypad
- CCD mount
- Power with SMBus
- GPS on board

### Features

- Scalable core up to 624 MHz.
- Marvell® Scalable Power Manager
- OS-ready package for Window CE
- Hardware video acceleration
- Multimedia acceleration with Intel® Wireless MMX™ 2 technology
- Full GPS and dead reckoning (DR) control code Library\*
- Multimedia acceleration with Intel® Wireless MMX™ 2 technology
- Support for H.264, MPEG-4, MPEG-2, WMV9.

### Board Dimension

- Board Size: 140mm(W) x 80mm(L)

### Accessories

- (OPTION) Mount Kit – encapsulates the GPS module for GPS 1-PPS in and timing synchronize.
- (OPTION) Antenna – Compact, active, magnetic.
- (OPTION) 7" LCD pack – RGB Stripe, 840x480, TFT Transmissive and 6 o'clock Viewing Direction.
- System Develop Tool and BSP.
- Battery kit and AC adaptor.



**DATA SURPASS TECHNOLOGY CO., LTD.**  
 1F, No.22, Zhongmei St., West District, Taichung City 403, Taiwan (R.O.C.)  
 Tel:+ 886(4)23758805 Fax:+886(4)23753549